

LED WALL LAMP

ITEM NO. : LWL - GM1/2 Series

INSTRUCTION OF LED WALL LAMP/LWL-GM1/2

The product are widely used in the decorative lighting for piazza, restaurants, private villas, garden, conference room, exhibition hall, beautify the area environment,stage bar,shopping mall,parkingsculpture,the tourist attractions.

A. Specification

A-1. Structure

- Materials of Shell: Aluminum Alloy
- Power Factor: >0.97
- Power Efficiency: >90%
- Protecting Rate: IP65
- Operating Temperature: -20°C~45°C



LWL-GM1



LWL-GM2

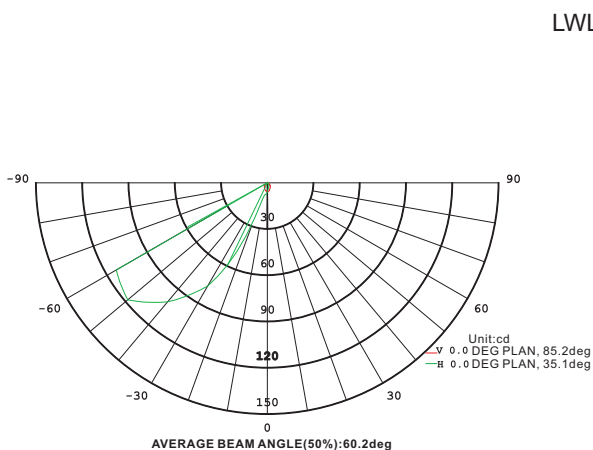


A-2. Model Configuration Table

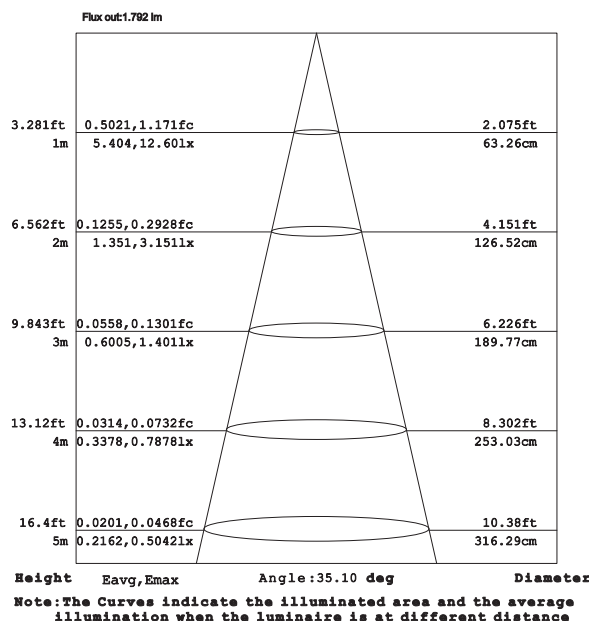
Model NO	LED Color	Input Voltage	LED QTY	Beam angle	Power consumption	Size	Weight	✓
LWL-GM1	WW / W / NW	24VDC/100V-240V AC	1pcs	80°	2.6 W/3.3W	D80xH46mm	0.26kg±5%	
LWL-GM2	WW / W / NW	24VDC/100V-240V AC	1pcs	80°	2.6 W/3.3W	L80xW80XH46mm	0.26kg±5%	

B.Photometrics Parameters

B-1. Distribution Curve



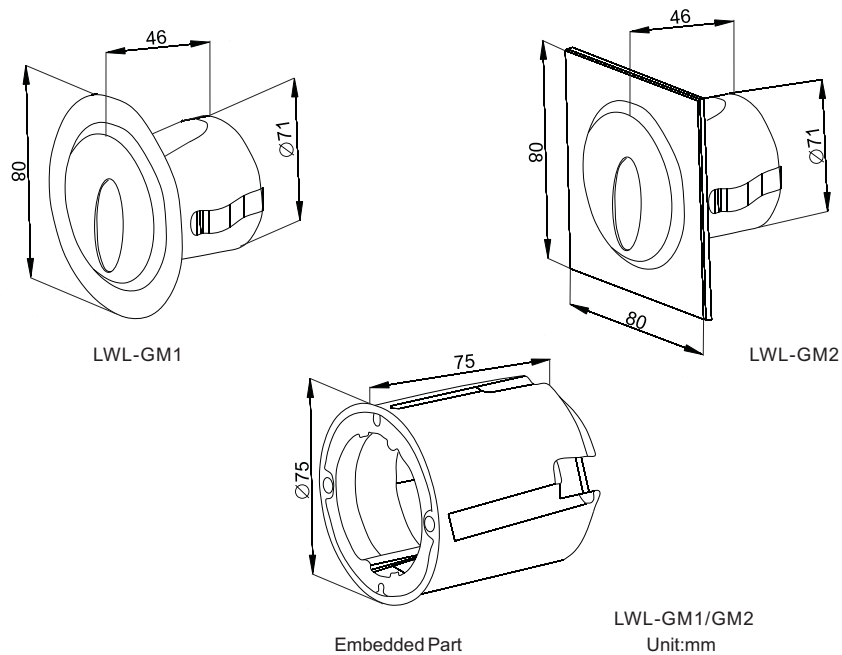
B-2.Illuminance at a distance



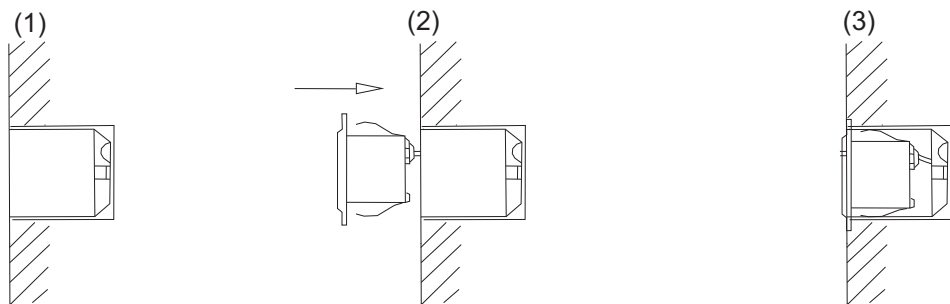
LED WALL LAMP

ITEM NO. : LWL - GM1/2 Series

C. Dimension drawing

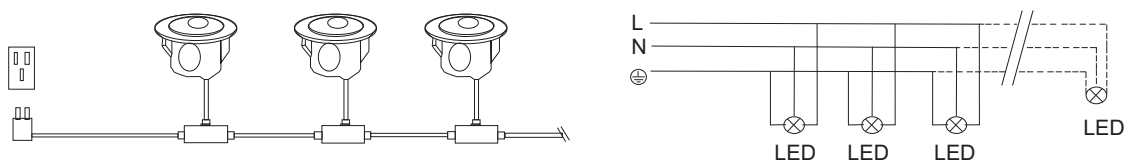


D. Installation



1. Make holes in the installation place according to embedded part, pls note:
Every light has supporting sheet which is used for protecting embedded part well because of pressure of cement or other heavy (like picture shown)
2. Power the light well according to the voltage of light(24VDC) and make waterproof treatment well.
3. Put light into embedded part and screw them well;

E. Connection

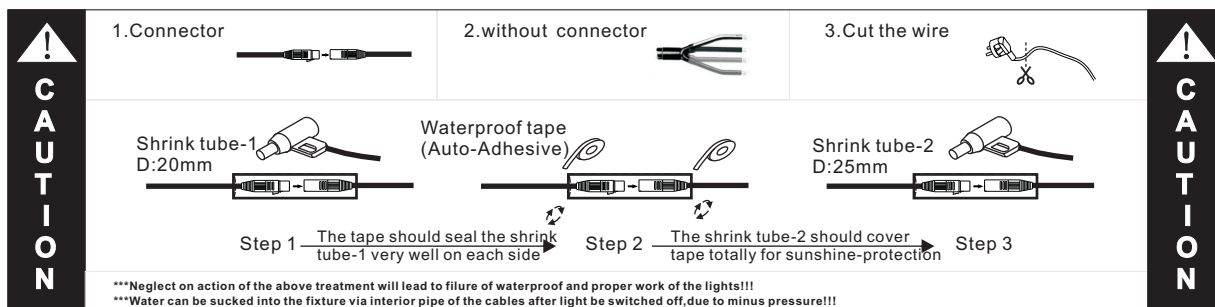


LED WALL LAMP

ITEM NO. : LWL - GM1/2 Series

E. Waterproof treatment (don't put joint part in water)

The wire joint must be sealed with a 20mm thermal shrinking tube, blow and shrink it with a hair driers; thence wrapped with waterproof tape (auto-adhesive, please refer to below instruction for operation) on both side; Blow the second 25mm shrink tube at last so as to protect waterproof tape under sunshine and guarantee the waterproof validity. For detailed instruction pls refer to below picture:



*** Power connector should be treated in the same way if available!!!

*** IP68 connector does not require above treatment, but you connect a threaded twist quite well to prevent operational errors lead to joint water

Caution:

1. Only professional people to make installation, pls check the fixture well before installation;
2. Pls install the lights according to this datasheet carefully, screw the light well and connect the wire correctly.

Warning:

- * Neglect on action of the above treatment will lead to failure of waterproof and proper working of the lights!!
- * Make sure the ground connection well avoid electric shock, due to metal housing.

Note: The above instruction are subject to update or improved without notice. Pls turn to our staff for further details !
Thanks for your long term support !