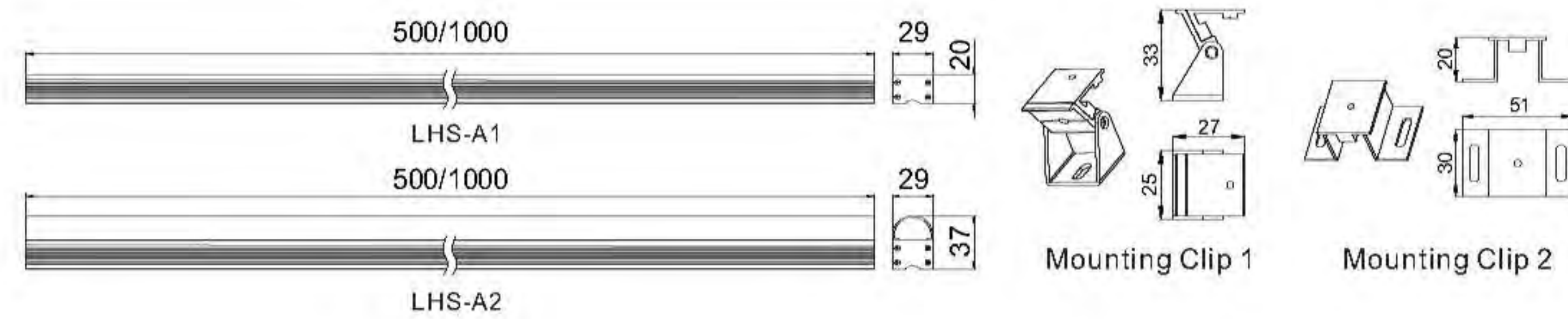


LHS-A Series is one innovative design upon traditional Hard strip. Two single 5050SMD (RGB 3in1) act as one pixel, and the pixel spacing can be customized ranging from 3cm(Min.). Up to 512 pixels can be loaded from one signal port.

The standard length is 1m/set, 48 LEDs/m, other length is available. It is used in the shops, hotels, the adornment of the party as well as the application of low pixel display.



LHS-A1-L1000



Model	LHS-A1-L500/1000	LHS-A2-L500/1000
Size	L500/1000 x W29x H20 mm	L500/1000 x W29x H37 mm
Main Body	Aluminum+Flat PC Cover	Aluminum+Arch PC cover
Weight	0.6Kgs±5%	0.75Kgs±5%
Color	RGB 3in1(Steady color optional)	RGB 3in1(Steady color optional)
LED Quantity	24/48pcs SMD/5050(3in1)	24/48pcs SMD/5050(3in1)
Working Volt	24V DC	24V DC
Power Consumption	6W/12W	6W/12W
Control system	CVS-LM-U8	CVS-LM-U8

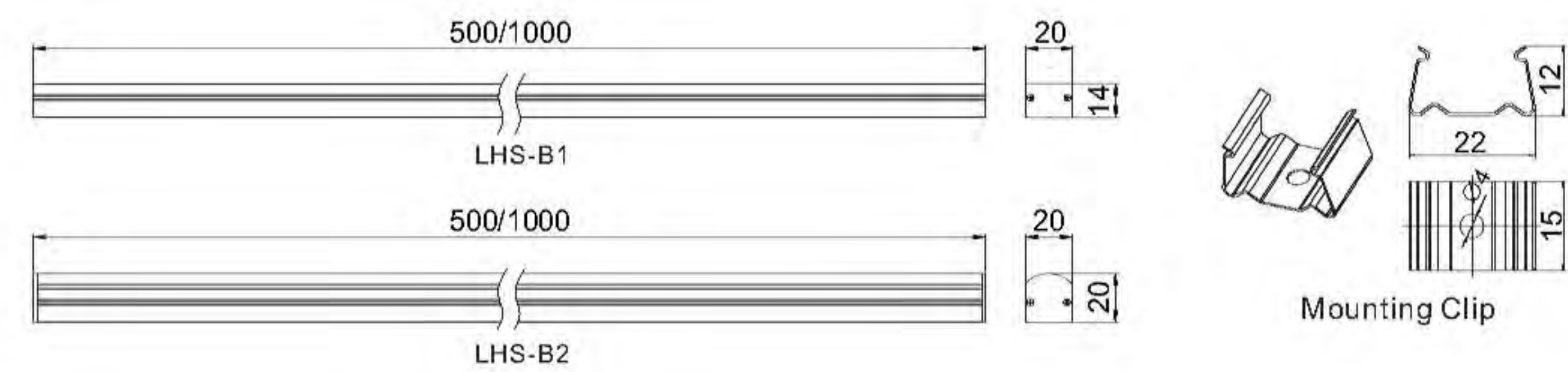


LHS-B Series is one innovative design upon traditional Hard strip. Two single 5630SMD act as one pixel, and the pixel spacing can be customized ranging from 3cm(Min.). Up to 512 pixels can be loaded from one signal port.

The standard length is 1m/set, 48 LEDs/m, other length is available. It is used in the shops, hotels, the adornment of the party as well as the application of low pixel display.



LHS-B2-L1000



Model	LHS-B1-L500/1000	LHS-B2-L500/1000
Size	L500/1000xW20xH14mm	L500/1000xW20xH20mm
Materials	Aluminum+Flat PC Cover	Aluminum+Arch PC Cover
Weight	0.5±5%Kgs	0.7Kgs±5%
Color	W, WW	W, WW
LED Quantity	24/48pcs SMD/5630	24/48pcs SMD/5630
Operating Voltage	24V DC	24V DC
Power Consumption	8W/16W(Max.)	8W/16W(Max.)
Control System	CVS-LM-U8	CVS-LM-U8

