

# LED FLOOD LIGHT

ITEM NO.: LFL-NF-E Series

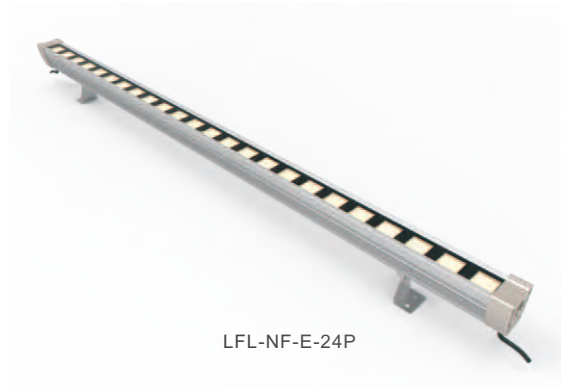
## INSTRUCTION OF LED FLOOD LIGHT/LFL-NF-E

This production is mainly used for decorating and highlighting in building frame, garden, etc. LFL series is single steady color. Power connective type is available.

### A. Products Information

#### A-1. Parameters.

Materials of Shell: Aluminum alloy/6063  
 Rotary angle: 180°  
 Input Voltage: 24V DC  
 Operating Voltage: 24V DC  
 Protection Class: IP65  
 Operating Temperature: -20°C~40°C



LFL-NF-E-24P

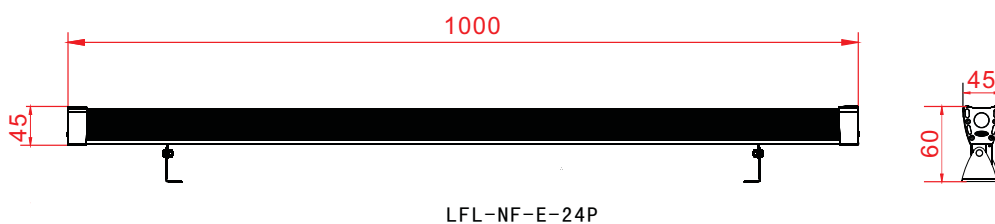
#### A-2. Model Configuration Table

Model No.	LED Color	LED QTY	Power Consumption	Beam Angle	Size	Weight	✓
LFL-NF-E-24P	R, G, B/WW/NW/W	24	24 WATTS	15x50°	L1000xW45xH60mm	2.1kg±5%	
LFL-NF-E-12P	R, G, B/WW/NW/W	12	12 WATTS	15x50°	L500xW45xH60mm	1.4kg±5%	

### B. Working Mode:

Single Color without any extra control .

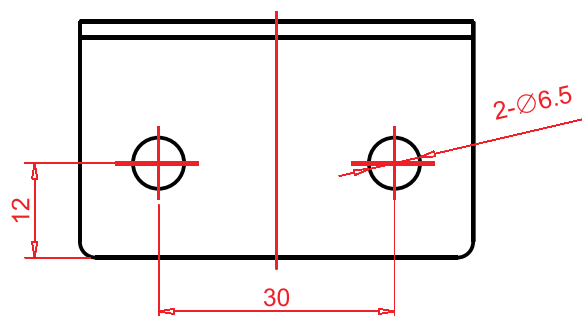
### C. Dimension Drawing:



LFL-NF-E-24P

### D. Installation Drawing:

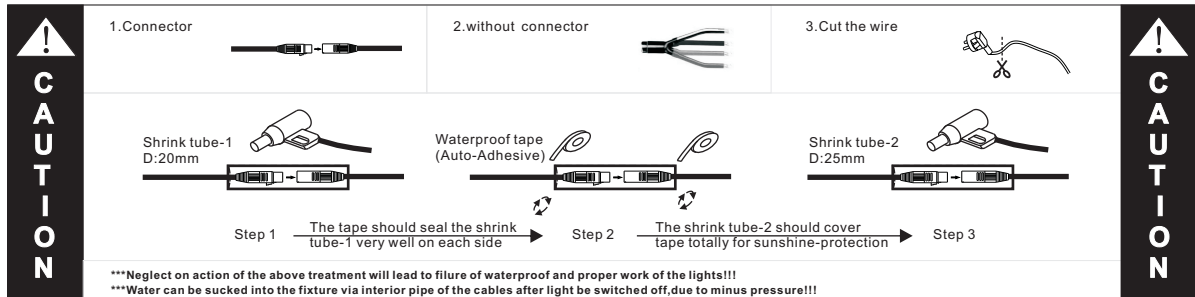
Fix the brackets via M4 tapping screw, mounting size as below



# LED FLOOD LIGHT

ITEM NO. : LFL-NF-E Series

## E. Waterproof Treatment



\*\*\* Power connector should be treated in the same way if available!!!

\*\*\* IP68 connector does not require above treatment, but you must connect a threaded twist quite well to prevent operational errors lead to joint water.

### Caution:

1. Do not plug them into power when the product is still in package;
2. Don't use anything to cover the fixture during application;
3. Don't use this product in close environment;
4. If this product appears to be damaged, do not attempt any repair, please contact your dealer.

### Warning:

- \* Neglect on action of the above treatment will lead to failure of waterproof and proper working of the lights!!!
- \* Make sure the ground connection well avoid electric shock, due to metal housing. .

**Note:** The above instruction are subject to update or improved without notice.Pls turn to our staff for further details !  
Thanks for your long term support !