

LED CONTROLLER

ITEM NO: CTR-BOX

INSTRUCTION OF CTR-RGB-BOX

There are 6 groups of RGB output in the controller, with 32 built-in programs, timing on / off function, automatic storage parameters, compatible with international standard DMX512 signal, 6 groups separate DMX address(3 CH). The controller can provide convenience and simple installation and connection in the project. It is used for RGB 12V/24V DC constant driving products (The output voltage of constant voltage products is adjusted by the internal power supply), it is widely use in the underground light, pool light, built-in ceiling light, strip, spot light.etc.

A. Specification

A-1. Structure

Size : L322 x W250 x H58 mm
 Housing Materials: A3 Sheet iron
 Weight: 3.13KGS
 Input Volt: 120V/240V AC
 Working Volt: 12V /24V DC
 Max Power :6x30W/6x50W
 Protection: IP20
 Working Temp.: -20°C~40°C



A-2. Model Configuration Table

Model No.	Input Voltage(V/AC)	Output Voltage(V/DC)	Power consumption (Watts)	Protection
CTR-RGB-BOX-12V-H1	120	12	180	IP20
CTR-RGB-BOX-12V-H2	240	12	180	IP20
CTR-RGB-BOX-24V-H1	120	24	300	IP20
CTR-RGB-BOX-24V-H2	240	24	300	IP20

B. Working Mode:

- B-1.Independent Mode:Choose the build-in programs via the top buttons.
- B-2.DMX Mode:International standard DMX512 Signal(XLR-3)
- B-3.Master/Slave Mode:Auto Online and synchro working

C.Function&Setup:

C-1.Buttons:

MODE: Switch function
 SET: Switch position (press once then move next)
 UP: Digit adding
 DOWN: Digit reducing

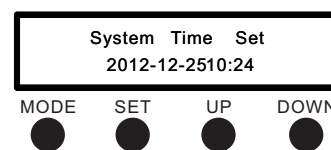


Figure 1

C-2.Time Setting (Figure 1)

Press the MODE button to the Time Setting interface as Figure 1;
 Press the SET button to have the shift setting of Year,Month,Day and time;Press the UP, DOWN button to adjust number.

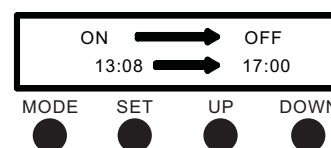


Figure 2

C-3. Timing ON/OFF Settings (Figure 2)

Press the MODE button to the Timing interface as Figure 2;
 Press the SET button to have the ON/OFF Timing settings;
 Press the UP, DOWN button to adjust number.

C-4 DMX Address Setting (Figure 3)

Press the MODE button to the interface as Figure 3, the address(A,B,C,D,E,F) display on the LCD screen are corresponding to the output port on the controller (1 # 2 # 3 # 4 # 5 # 6 #).Press SET button to choose different output port;Press the UP and Down button to the desired address,each port can set as digits less than 512.

LED CONTROLLER

ITEM NO: CTR-BOX

Note :

1. When the digits stop flashing or quit the present setting, parameters will be automatically saved; Power off is forbidden during the setting.
2. Tighten the output 4 wires of light with ports R(-), G(-), B(-), V and fixed it.
3. Once the time setting can not be restored correctly, please replace the battery in time.
4. Master/Slave Mode: When some output port DMX address is set to 001, it is defined as master. Other ports from controllers are defined as slaves. (address can be any one except 001). So that to realize a auto online and synchro working without external DMX controller; Only one master exist and all the lights will work synchronously with the master.
***Valid DMX Address: 001~512

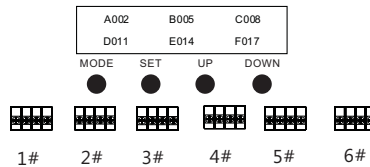


Figure3

C-5. DMX Channel instruction-3 Channels available as sheet:

CHANNEL 1		CHANNEL 2		CHANNEL 3	
Data	Function	Data	Function	Data	Function
0~255	Brightness of Red	0~255	Brightness of Green	0~255	Brightness of Blue

***Enter or quit DMX mode automatically once detecting valid signal!!!

C-6. Function Switch Setting (Figure 4)

Press the MODE button to interface as figure 4, 20 is flashing, press UP, DOWN button adjusted to the desired function number, then press the SET button when the Speed is flashing. Adjusted speed by UP and DOWN button. Other function number is similar to this way.

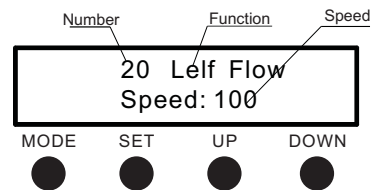
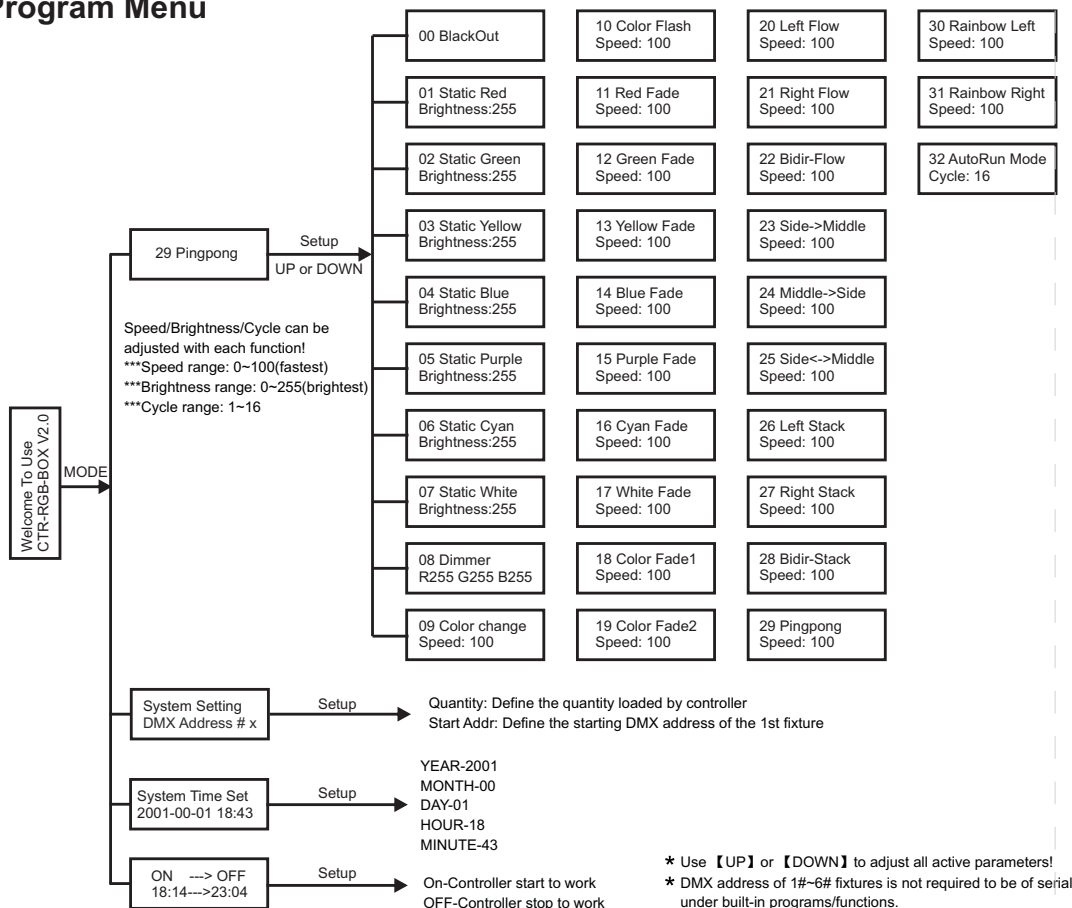


Figure 4

Note: The above operations adjusted to the desired parameters, flashing wait about 5 seconds, then automatic storage is complete.

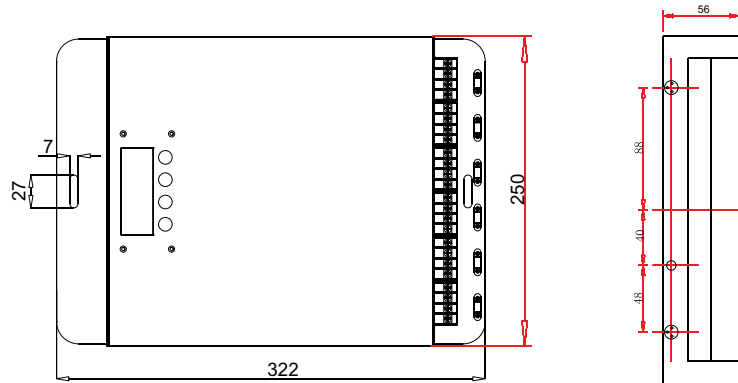
D. Program Menu



LED CONTROLLER

ITEM NO: CTR-BOX

E. Dimension Drawing



F. Installation

Introduction:

Fix the screws (2pcs M6) into the wall firstly, then put on the control box and lock the nut .(Figure 6)

*** Mounting dimension (Figure 5)

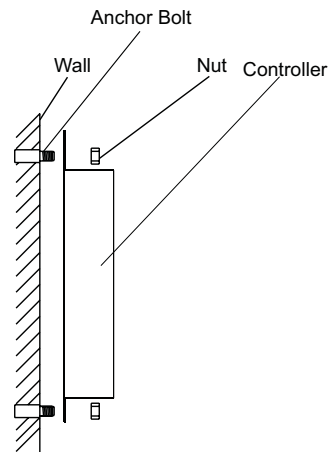


Figure 6

G.Connection

G-1.Wiring instructions(Figure7)

Firstly, take apart the PC cover, remove the terminals, wiring the output terminal as shown in Figure 3, then plug the terminal on the pins (original position), separate the bonding clamp for compressing the wire and lock the PC cover. We generally use 4 colors(red, green, blue, black) in our 4 wires and 3 circuits products.

Wiring corresponding follows:

Black wire ----- V+
 Red wire ----- R
 Green wire ----- G
 Blue wire ----- B

***Please refer to actual definition of color of cable in different fixtures.

Warning:

1. Max. Loading Power of 24V Controller Not Exceed 300w
 Max. Loading Power of per Terminal Not Exceed 50w!
2. Max. Loading Power of 12V Controller Not Exceed 180W
 Max. Loading Power of per Terminal Not Exceed 30w!

G-2.DMX Outlet(Figure 8)

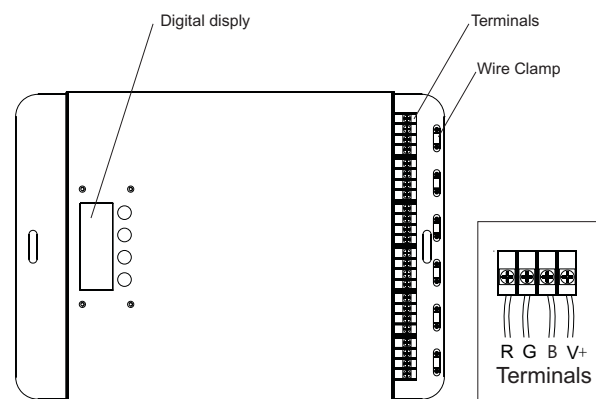


Figure 7

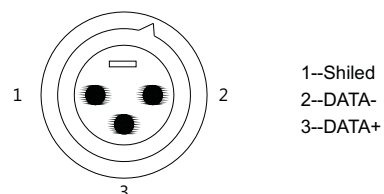


Figure 8

LED CONTROLLER

ITEM NO: CTR-BOX

G-3.Wiring Connection(Figure 9)

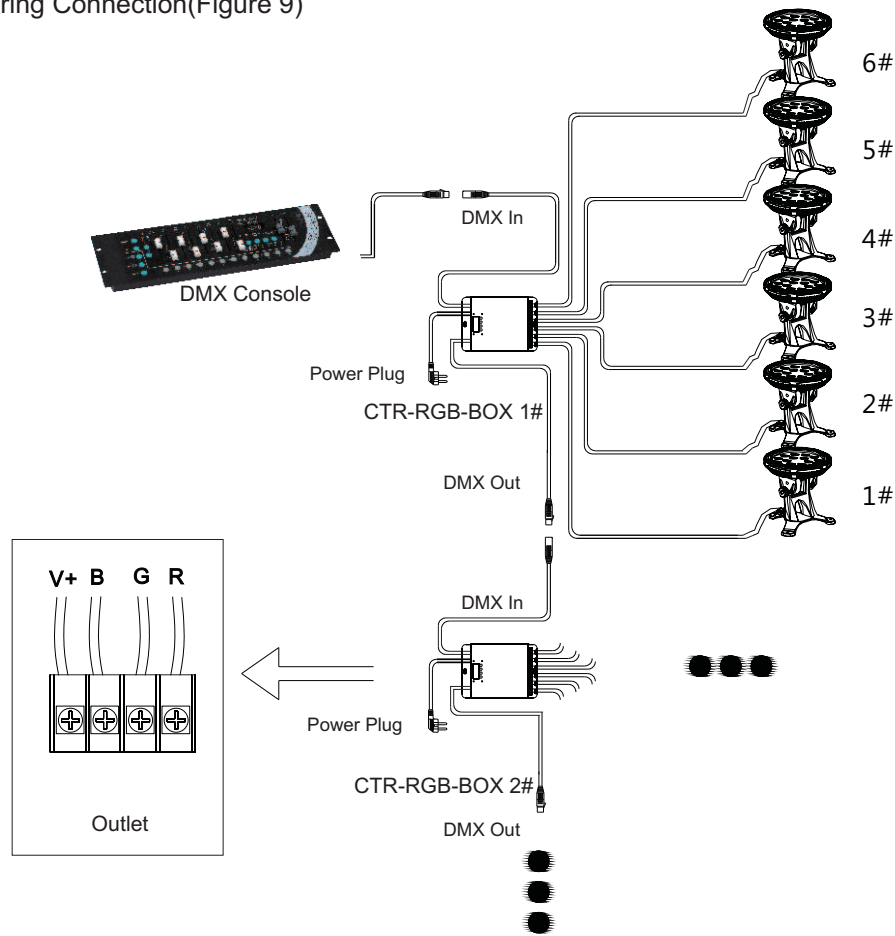


Figure 9

H.Caution:

- H-1.The controller should be installed indoor and far away from disturbance from electric or magnetic field.
- H-2.Connect light fixtures to controller box strictly as per requirement, otherwise it will lead to failure of function performance or even damage to the circuit.
- H-3.Pay attention to the max output power, avoid overload and short-circuit.
- H-4.Do not dismantle the control box once failed, turn to dealer or professional person for replacement or repairing.

Note: The above instruction are subject to update or improved without notice.Pls turn to our staff for further details !
Thanks for your long term support !